

DreamVu™ Windows

High performance range of windows and external joinery



DREAMVU™
Down to
0.7 Whole
Window
W/m²K U value



JELD-WEN®

WINDOWS & DOORS

Reliable products, reliable company

We're a leading international producer of windows, external and internal doors, patio doors, garage doors and stairs. We offer the largest range in the UK and our products enhance thousands of homes across the country.

Taking our responsibilities seriously

Fully aware of our obligations towards the environment, we manage natural resources carefully, and follow strict procedures on waste management and recycling, air and water emissions, and indoor air quality.

Be Inspired

JELD-WEN offers an enormous variety of window styles, materials and configurations, all with the highest levels of security and durability. Many people today prefer real wood windows, finding them more visually appealing. They are also environmentally friendly, as wood is a truly renewable building material.

Performance

JELD-WEN UK offers an extensive range of standard and bespoke windows in both hardwood and softwood, supplied with our latest Hi-Build fully finished paint system provide excellence in performance, long life, reliability and low maintenance.

Environmental Assurance

JELD-WEN UK has now implemented the ISO 14001 environmental management system. We are part of a scheme that is regularly assessed by a recognised accreditation organisation for compliance with this standard. It is important to ensure success and management of our environmental policy.

JELD-WEN is always striving to find ways of improving the service to both existing business and accessing new customers and business partners. We are confident that working with this accreditation scheme will allow us to fulfil many of our customer's requirements.

Please see our website for further details of our environmental and CSR policies:

www.jeld-wen.co.uk



Introduction

High Performance windows & doorsets from JELD-WEN



All timber and aluminium clad timber windows

The DreamVu™ window range provides an exceptional looking timber window that is high performance and offers some of the lowest U values in the UK market today. The all timber window has an attractive slim profile and flush sash design suitable for any dwelling type. The aluminium clad timber option is a traditional casement design, both window styles benefiting from the latest window technology. We can supply a product that will fit, with most architects' requirements allowing for greater scope in the overall design of buildings. JELD-WEN has been working to develop a highly insulated product range that will work in today's new build market and meet future needs.

This range breaks new ground in volume produced, mass availability joinery at prices to reflect JELD-WEN's highly competitive position in the market.

The DreamVu™ range is available to meet the following ranges:

- * Up to code for sustainable homes level 6
- * U value range 2.0 to 0.7 W/M^2K

DreamVu™ all timber windows

The new high performance all timber DreamVu™ timber windows are supplied in FSC engineered laminated softwood, with chain of custody certified sustainable timber. The internally beaded sashes are available in top or side hung fitted with projecting hinges.

DreamVu™ aluminium clad timber windows

To complement our high performance range of windows and external joinery, JELD-WEN can now supply a powder coated aluminium clad option. The range offers factory finished external joinery with a durable low maintenance exterior.

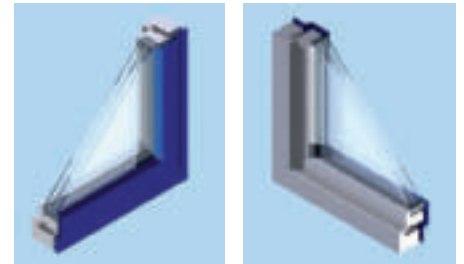
- Fully finished internally in a range of standard colours
- 10 year guarantee against manufacturing defects
- 30 year guarantee against external finish, when maintained in accordance with our instructions

Doorsets

To complement the DreamVu™ window range, JELD-WEN also offers a range of doorsets, both in timber and aluminium clad timber with similarly high levels of performance and low U values.

Generally these products are tested and certified to both PAS23 and PAS24 and achieve U values down to 1.0 W/M^2K , dependent on glass specification.

In addition, french casement pairs of doors with combined side lights are also available, all matching the DreamVu™ window range. Letter plates are not recommended as these compromise the air tightness of the building. Separate provision should be made for mail deliveries.





The DreamVu™ window range offers a wide choice of specification options in order to meet the requirements of almost any project. They have a range of low *U* values, with energy ratings available upon request. The energy rating calculation is lower due to the effects of solar gain with high performance windows and joinery.

Window <i>U</i> value	IGU CP <i>U</i> value	Specification Summary	Ventilation
1.8/2.0	1.6	Double glazed (air filled)	4000mm ² up to 915mm W, 8000mm ² above
1.6/1.7	1.6	Double glazed (argon filled)	as above
1.5	1.4	Double glazed (inert gas filled)	as above
1.3	0.2	Triple glazed (inert gas filled)	as above
1.1	0.9	Triple glazed (inert gas filled)	as above
0.9	0.7	Triple glazed (inert gas filled)	Air tight*, un-vented
0.8	0.7	Triple glazed (inert gas filled)	Air tight*, un-vented
0.7	0.5	Triple glazed (inert gas filled)	Air tight*, un-vented

Note: All *U* values quoted to one decimal place



- At *U* values less than 1.0, windows are designed to achieve very high levels of air-tightness to meet requirements of the Code for Sustainable Homes, Levels 4, 5 & 6. Background ventilation is therefore not provided given that buildings will be ventilated by mechanical heat recovery system
- At very low insulating glass values, alternative technologies may be employed Specifications may be amended at any time to optimise performance and cost Acoustic performance available to 40dB Rw

Fire Escape: Building Regulations

The requirement of Approved Document B, 2000 edition, states that window openings must be 450mm or wider and provide a clear opening of 0.3m. Fire escape windows are available to order by special request. The minimum window size to comply is 630mm x 900mm high.

Secured by design

A security enhanced window range that complies with the requirements of BS 7950, is offered as an additional specification. All windows in this range are supplied as standard with:

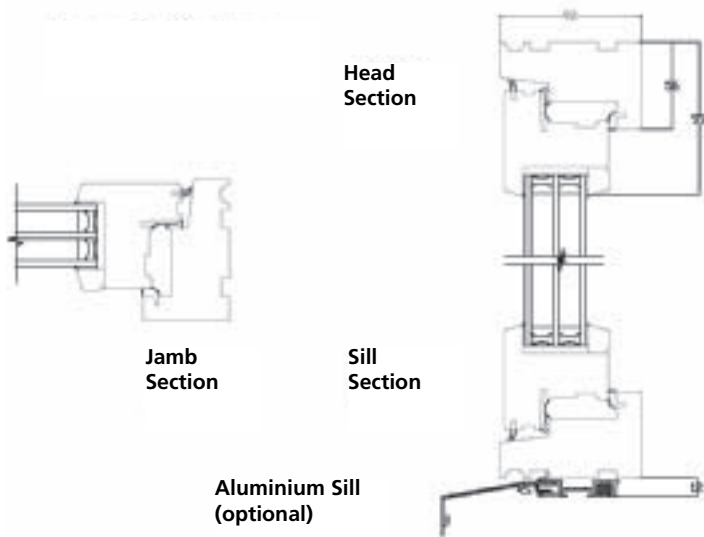
- Maco rail espagnolette locking system
- Vector excluders to support the hinge
- Night vent position for handle



For further details on specification and product offering visit:
www.jeld-wen.co.uk/dreamvu

Official Police Security Initiative

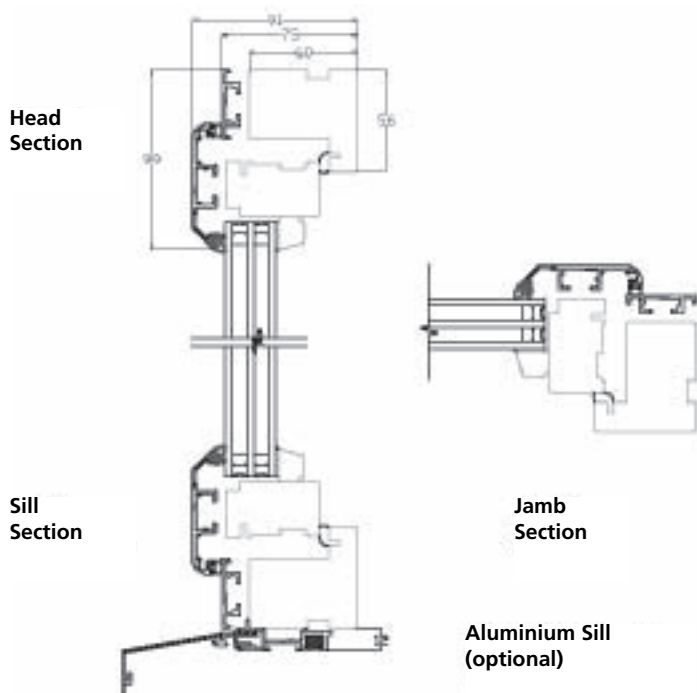
DreamVu™ All Timber Detail:



Performance:

- U value range from 2.0-0.7W/m²K
- Exposure rating 2000pa
- Air permeability Class 4
- Tested to BS6375 : Part 1:2004 Performance of windows and doors
- Tested to BS6375 : Part 2:1987 Operation and strength performance
- Tested to Secured by Design scheme standards - BS7950 certification held
- Acoustic performance available to 40dB Rw

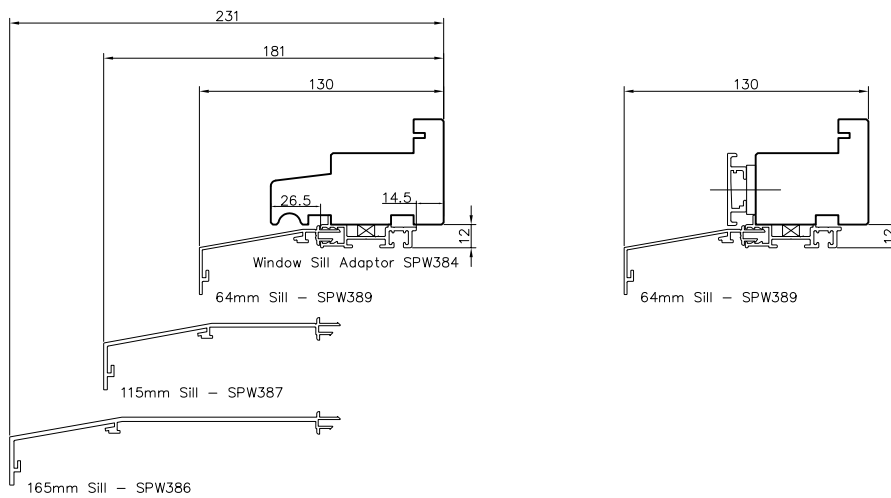
DreamVu™ Aluminium Clad Timber Detail:



Options & Installation Detail

Installation

Timber windows can be installed into all types of building designs from timber frame to traditional masonry construction. The DreamVu™ window range is available in a number of optional extras to aid installation. For optimum performance, the window is installed using alternative ventilation methods and sits flush on the masonry sill.



There are three different sizes available in the aluminium sill. This is sent loose for clipping into the under carriage after window installation is complete.

Cavity closer system

The system is used for cavities of 50-100mm in all cavity wall systems. The system is easy to fabricate into a brick-laying template enabling a guaranteed window fit and clean, thermally efficient wall finish. The system is fully approved by the BBA as a closer and acceptor. To comply with Accredited Construction Details (the replacement for Robust Details) windows must be installed a minimum of 30mm over the wall cavity using an insulated cavity closer with a minimum thermal resistance of 0.45 (m²K/W). All our closers are insulated products that easily meet this requirement. The closer should also be sealed to the wall to meet air tightness regulations.

Maintenance

Wash down with a soft cloth using a pH neutral soap occasionally, ensuring that kept clean and clear of dirt and debris. The period of maintenance checks will vary depending on the local weather conditions. Both internal and external faces should be cleaned. Any minor damage requires a touch up to make good, the timber fully finished paint film will last and last.





Code for Sustainable Homes

JELD-WEN provide a SOLUTION for level 1-6

JELD-WEN has developed a wide range of products and specifications with a high performance allowing them to fit the criteria of compliance up to code level 6. All our external joinery products have flexible thermal performance ranging from $2.0W/m^2K$ down to $0.7W/m^2K$. We understand that each project will require a specification that is individual to what the overall dwelling type and design is. Our products can maximise the sustainable credentials with timber being 'Chain of Custody' 'PEFC'. Please call us to discuss your requirements.

DreamVu™ PERFORMANCE RANGING FROM $0.7W/m^2K$ TO $2.0W/m^2K$

Timber windows are a valuable source of credits to help you achieve your desired code level.

Responsible sourcing of materials

All JELD-WEN UK softwood timber windows and doorframes are manufactured from PEFC certified timber supported by full Chain of Custody Certification.

Our long-standing vertically integrated operational model bolsters our ability to maximise resources and provide excellent visibility of procedures up and down the manufacturing chain.

JELD-WEN UK employees are committed to ensuring that JELD-WEN UK operations proactively comply with applicable environmental laws and regulations for the implicit purpose of protecting human health and the environment. JELD-WEN UK employees are encouraged to identify opportunities for integrating environmentally favourable solutions into operations, as well as, into the long-term benefits of the products we manufacture.

EcoHomes

The EcoHomes scheme permits housebuilders and designers to have their home designs assessed considering key issues such as energy efficiency, transport facilities, security and materials selection. It is structured so that the assessment can be carried out at specification, housetype and site specific stages of development.

The EcoHomes standard defines 4 tiers of compliance, which can be used to gain credits; all JELD-WEN UK softwood windows achieve tier level 2 according to the rules of the EcoHomes guidance 2006 issue 1.1. Please contact our estimating department with details of specification required and they will be able to provide a detailed quotation upon your request.

The Green Guide

The Green Guide is aimed to provide a simple guide to the environmental impacts of building materials which is easy-to-use and soundly based on numerical data. There is guidance on the environmental performance of materials and components reflecting both changes in manufacturing practices, the way materials are used in buildings, and our evolving environmental knowledge.

Materials and components are arranged on an elemental basis so that designers and specifiers can compare and select from comparable systems or materials as they compile their specification.

Environmental impact of materials

JELD-WEN UK softwood timber windows have a green guide rating of A+.

For further information refer to:
www.bre.co.uk/greenguideonline



Guarantees

In keeping with our quality policy, JELD-WEN UK offers the following guarantees on its products:



30 year guarantee against rot and fungal attack



6 year guarantee on hi-build stain



10 year guarantee against manufacturing defects



10 year guarantee on insulating glass units



10 year guarantee on hi-build factory painted external joinery in accordance with EN 927/1-7



30 year guarantee on aluminium clad external finish



Made to measure windows

JELD-WEN UK Ltd
Snow Hill, Melton Mowbray, Leicester LE13 1PD

T: 01664 484 500 | F: 01664 484 502

Visit us at: www.jeld-wen.co.uk

Or email: dreamvu@jeld-wen.co.uk

JELD-WEN
WINDOWS & DOORS