

Made to measure stairs from just 10 days*



Take the
step up
to quality stairs

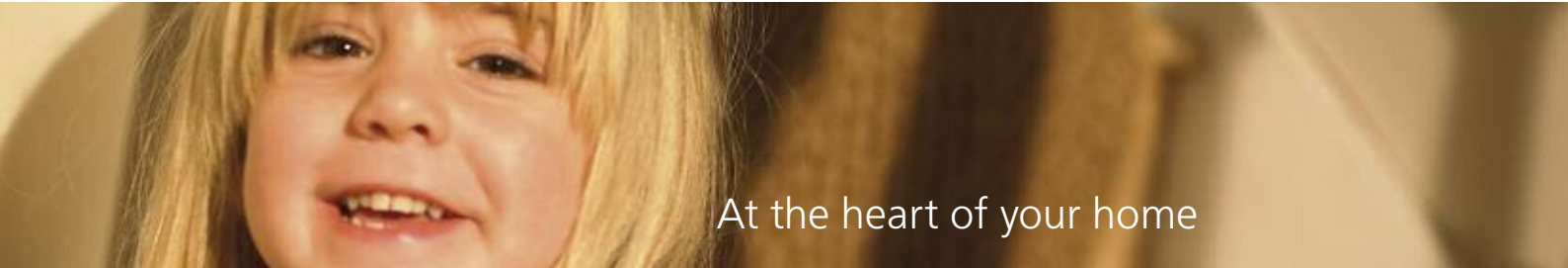
From the UK's leading stair manufacturer.

JELD WEN
STAIRS

RELIABILITY *for real life*®



Let us *inspire* you



At the heart of your home

Staircases offer many design possibilities. In new-build homes, they can really set the tone in terms of visual appeal – and if you're renovating an existing property, a new staircase can become an outstanding feature, adding value and elegance.

So don't feel you have to live with the staircase you've got; take a look through the following pages, and discover the wide range of options JELD-WEN offers. You'll see there are numerous design choices, and we can help make your staircase individual to you.

With contemporary designs becoming ever more popular, JELD-WEN has come up with a solution to make any home unique and inspiring. New for 2010, we have launched a selection of quality contemporary products to complement our existing offering, bringing staircase design into the 21st century.

We offer a wide variety of timbers, including FSC Chain of Custody Certificated material and many styles of handrails, newel posts and spindles.



Inside... Our range of Stairs

Introduction

Home Improvement & Space Saver Stairs

Page 4 - 7

The Contemporary Range

Page 8 - 9

The Oak Range

Page 10 - 11

The Distinctive Range

Page 12 - 13

The Fine Flights Stock Range

Page 14 - 15

Stair Components

Page 16 - 17

Installation Guide

Page 18 - 19

Stair Layouts

Page 20 - 29

Terms and Conditions

Page 30 - 31

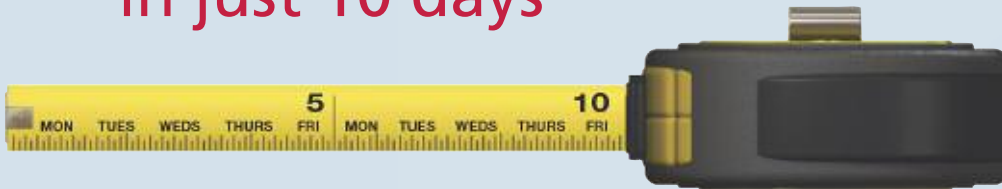


10
YEAR GUARANTEE

Be inspired – and reassured

To help you choose your ideal stairs, we've collected all the JELD-WEN options in this brochure. Whether you're renovating, refurbishing or building a new home, you'll find plenty of inspiration here. And whatever you choose, you can be sure of the quality: everything you see comes with our 'Reliability for real life' guarantee.

Made to measure stairs in just 10 days*



When speed is of the essence, JELD-WEN can provide a bespoke staircase manufacturing service in just 10 days from receipt of order.*

This is just part of our commitment to superior service which includes:

- Initial quotations in under 48 hours
- FREE on site survey within 5 days of quotation where required
- Full technical advice and support just a phone call away

Standard specification straight flights available immediately from stock
see page 14

* Standard specification and materials available within 10 days for delivery within 100 mile radius of JELD-WEN manufacturing. For other specifications and delivery locations lead-times will be advised at time of order.



Call JELD-WEN's specialist
Stairs Sales Team

0845 122 2890

stair.enquiries@jeld-wen.co.uk

JELD-WEN
STAIRS

RELIABILITY *for real life*®





As one of the most dramatic focal points of your property, your stairs say as much about you as any other part of your home. Surprisingly, when it comes to stairs, some people believe they have to live with what they've got, not realising how easy it can be to update this important feature.

adding warmth and *style* to your home

*“Breathe new life
into an existing
flight”*

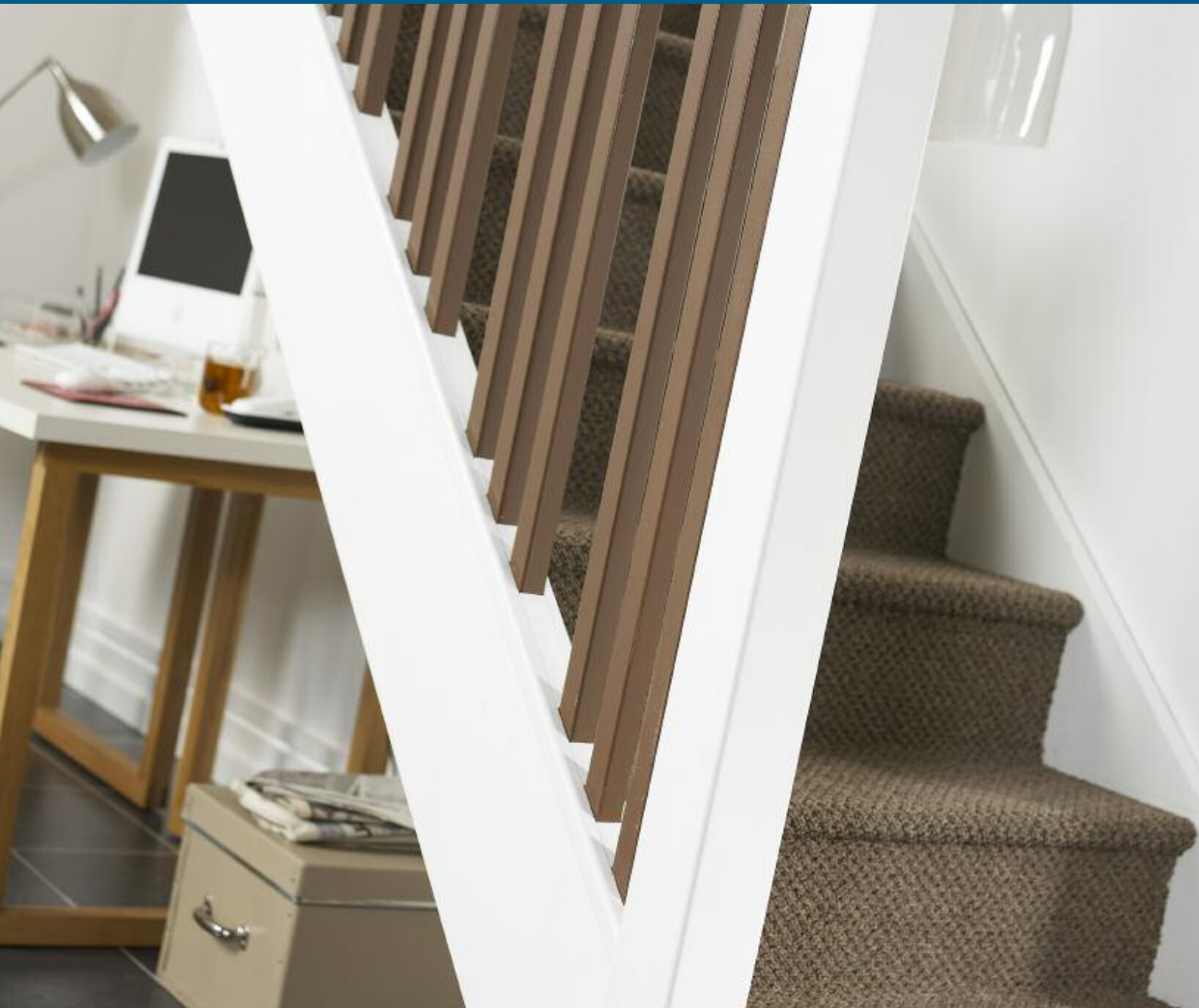
JELD-WEN can help you create a staircase that brings life to the heart of your home, turning a functional structure into a design statement. Our contemporary range in light woods, metals and glass-look balustrades complements modern design themes perfectly or provides a striking contrast to more traditional styles. For the ultimate in quality and luxury our premium oak stairs provide bespoke options to add warmth as well as value to your home. Whatever your design aspirations, JELD-WEN can help make them a reality.

Money Saving Tips

Instead of replacing why not *Refurb?*



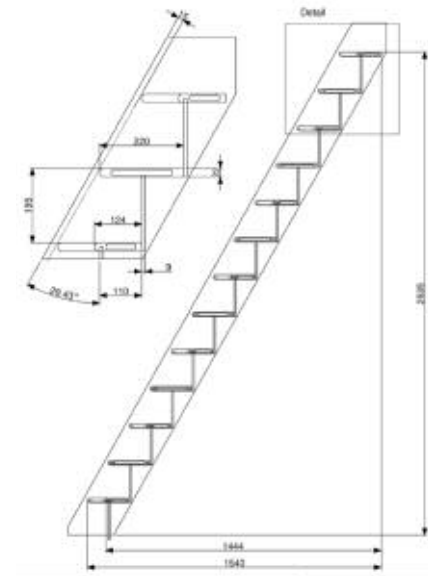
If you don't want to replace the entire flight, why not refurbish your existing stairs? Our NEW oak and beech replacement tread covers and replacement spindles, in combinations of timber and nickel can add a new dimension to bring an old and tired flight to life. And if you choose new handrails, you will feel the difference as well as see it.





*“A compact and attractive solution
to permanent loft access”*

Strong and solid, treads are made from whitewood string MDF and ply riser as standard. This affordable pre-manufactured solution to loft access enables easy and quick on site installation, and is available from stock in standard sizes.



New Space Saver Stairs

create a whole *new space* in your home

If you want to create more room in your home by utilizing existing space, take a look at our New space-saving stair. Its unique paddle tread design makes it ideal for use in limited spaces that have a single habitable room and an adjoining WC (so long as it not the only WC in the dwelling) as a permanent loft access solution. As with all loft conversions, there may be additional requirements to ensure Building Control Approval. For confirmation of compliance you should always check with your local Building Control Dept. The staircase can be combined with an extensive choice of handrails and other components to match other existing staircases within the property.

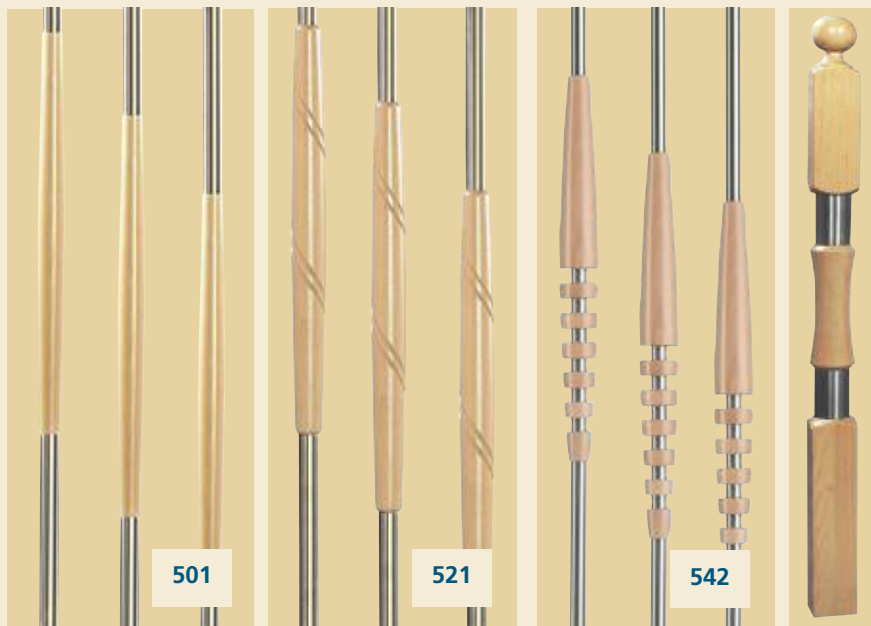




Hadley new

The concept behind our NEW Hadley range is that a staircase should be as unique as the people for whom they are made. Combining a choice of quality American white oak or clear pine timbers with stainless steel means you can create 'the' look whether as part of a new staircase or as separate parts to update an existing flight.

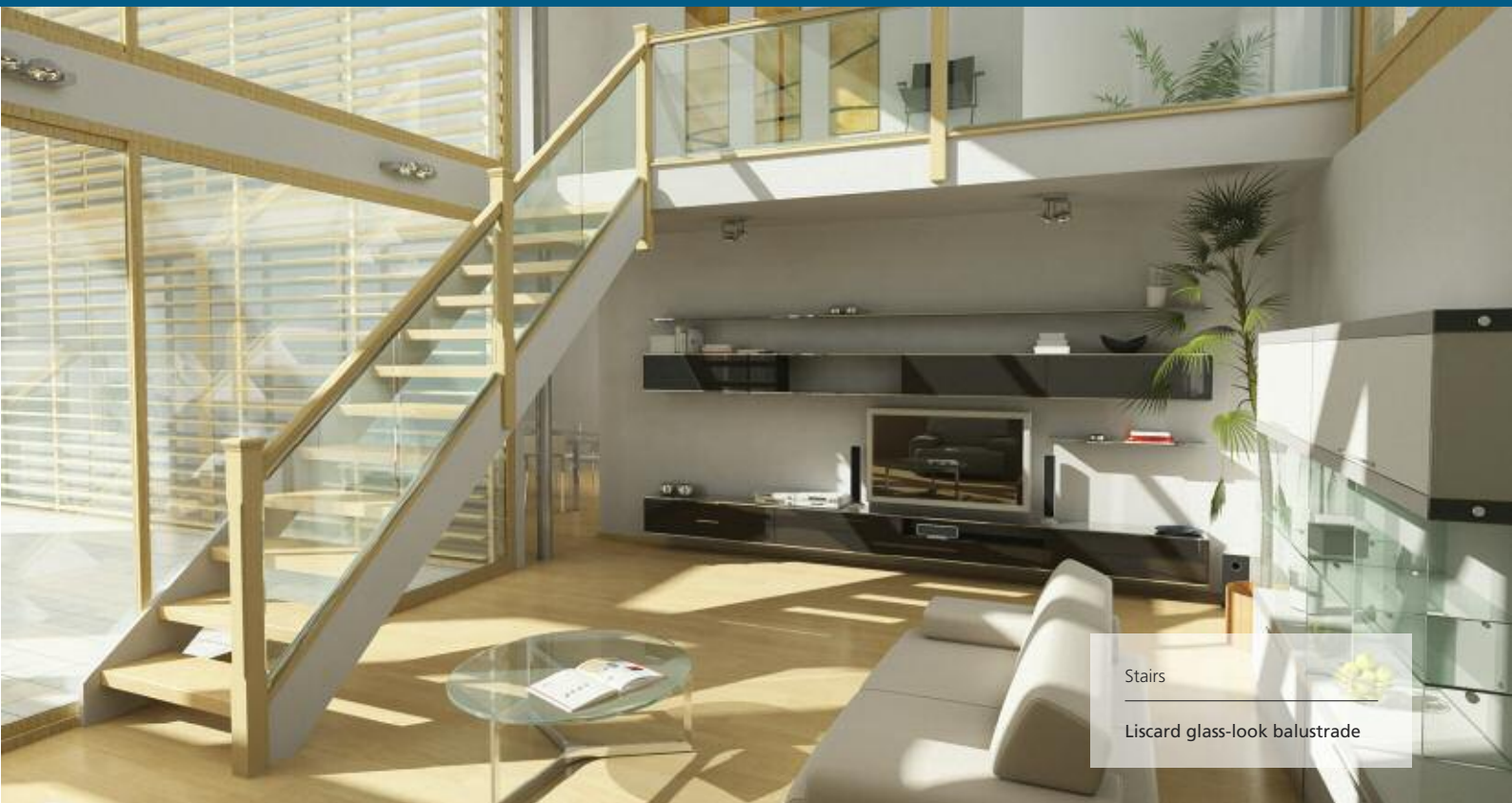
Available in a choice of 3 spindles with matching newel as shown, in pine or American white oak



Hadley Range: Specification

- Spindles are stainless steel with satin finish
- Timbers available in unfinished oak and pine
- The pipes are covered by a sprayed foil which you can remove after finishing.

“A staircase as unique as you are.”



Stairs

Liscard glass-look balustrade

create the *look*

Contemporary staircases offer design solutions which make a stunning feature to the heart of your home. New for 2010 our Liscard and Hadley ranges offer a bespoke selection of designs using elegant timber combined with chrome or nickel to create a truly modern look.

Liscard

With the option of using a clear glass-look balustrade, the Liscard opens up and brings light into the stairwell to create a truly light and airy feel to your living space. The timber components are available in oak, beech and pine and metal connectors and balusters in chrome or nickel finish.





“Quality from the first to last step”

Creating truly exceptional stairs starts long before design and manufacture, that's why JELD-WEN sources only the finest timbers from accredited, sustainable sources.

Our premium Oak Range combines the best materials with quality craftsmanship to create a product of natural strength as well as outstanding beauty. And because all of our stairs come with a 10 year guarantee against manufacturing defects you can be certain that, no matter what you demand of them, they will perform to the same high standards in years to come.



Oak cut and bracketed outer strings



Oak barley twist 41mm spindle

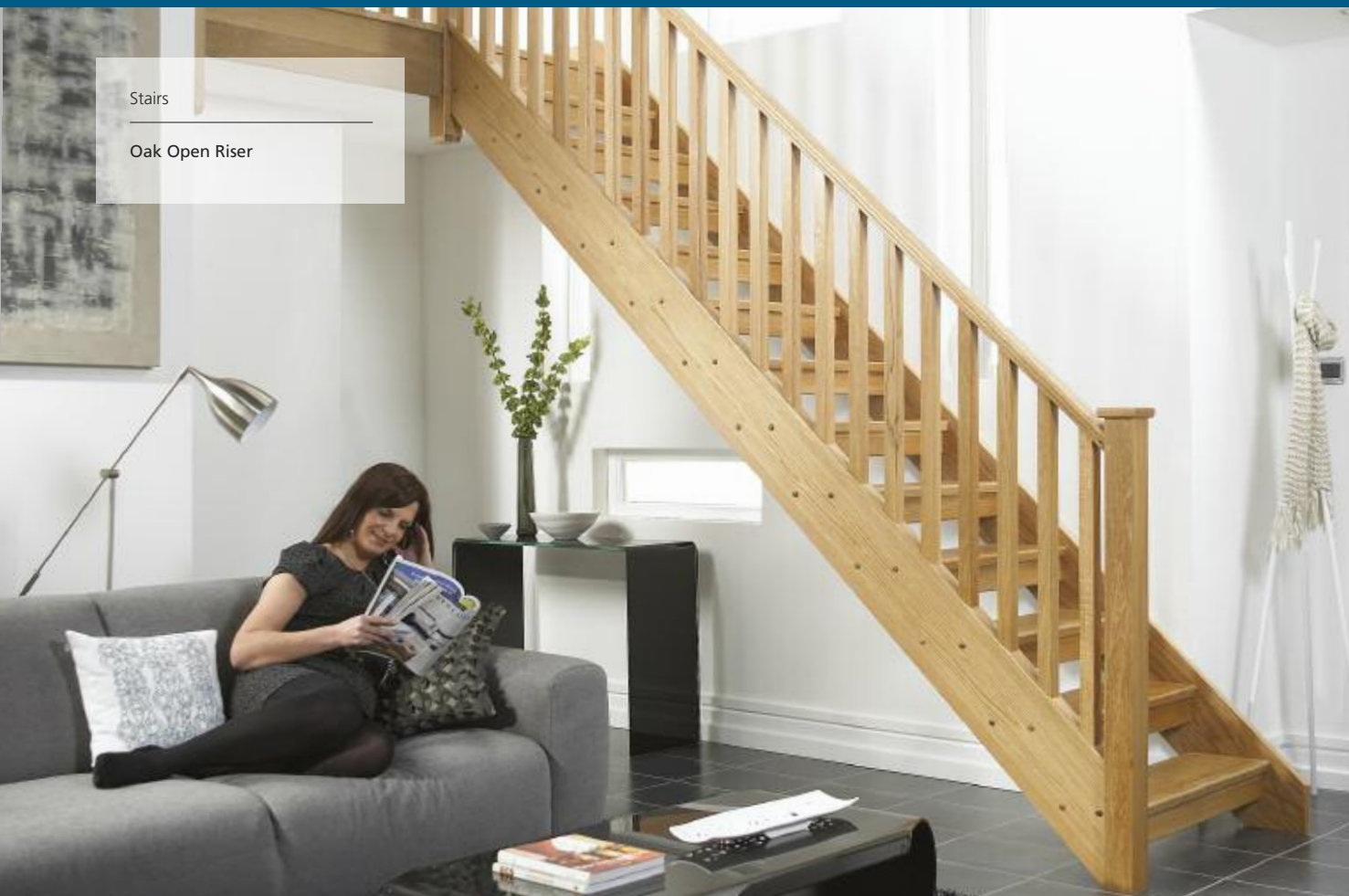


Features such as cut and bracketed side strings, continuous handrails and turned spindles add the perfect finishing touch to a bespoke design. Speak to your JELD-WEN stairs specialist today and take your first step towards the finest quality stairs.

Specialist stairs available on request. Please call for details.

Stairs

Oak Open Riser



our *finest* range of oak stairs

When choosing an oak staircase as the centre piece for your home, you can be assured that the natural beauty of the timber will complement your interior perfectly. Our bespoke service means you can create your own design which, as well as being unique to you, will add warmth and value to your property.





“A range of options to suit all tastes and budgets”



Stairs

3 part finish with 32mm square spindles and handrail
82mm square newel post.

Our Distinctive Range allows you to customise your stairs by giving you options on all of the main elements. Square or turned newel posts and caps, spindles in a range of materials and finishes and treads and handrails in budget MDF or premium oak. Whatever your tastes or budget, JELD-WEN makes it distinctly individual to you.



Stairs

Attractive designs with simple components.



In any home, you want to create an individual look that is designed to your own personal taste and choosing the right staircase is one way of making an immediate impression.

Choose from; pine, hemlock, beech, ash or oak for your balustrade and the following options for your stair components:

1. Strings

- Whitewood
- White Oak
- Clear Laminated Softwood
- Hardwood

3. Risers

- White Oak
- Plywood
- Clear Laminated Softwood
- Hardwood

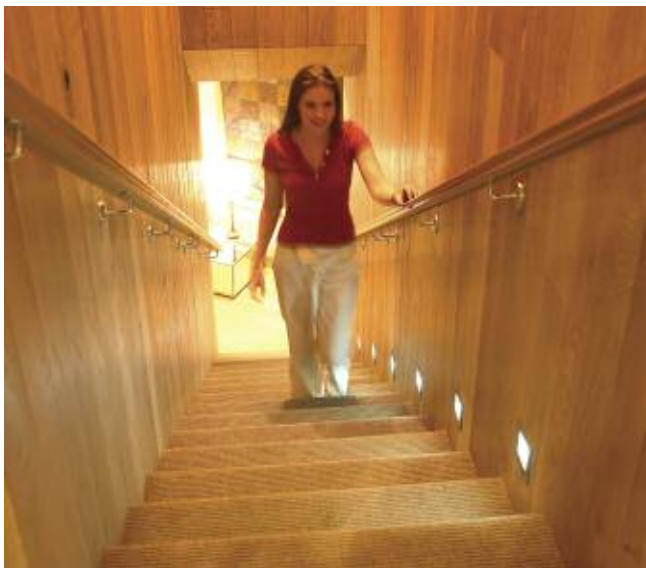
2. Treads

- Whitewood
- White Oak
- Clear Laminated Softwood
- Hardwood
- MDF

4. Handrails

- White Oak
- Hardwood
- Redwood
- Hemlock

a distinctly individual range



Because it comes from JELD-WEN, even our most modest specification stairs don't compromise on quality. Features such as pre-assembled balustrading, maintain traditional construction methods and also reduce installation time on site whilst improving accuracy.

You can choose from closed riser stock flights in whitewood / composite materials or open riser versions which are available to order. See the table below for further details.

Standard Stock Flights

STAIR CODE	WHITEWOOD/ COMPOSITE STRINGS & TREADS	TOTAL RISE mm	TOTAL GOING mm	WIDTH OVER STRING mm	INDIVIDUAL RISE mm	INDIVIDUAL GO mm
STAIR WM	✓	2600	2676	855	200	223
STAIR WMSC	✓	2600	2700	905	200	225
STAIR W85	✓	2574	2676	855	198	223
STAIR W88	✓	2639	2712	855	203	226



right on *quality*

right on price
from stock

Our Fine Flight Stock Range offers an easy and quick solution to adding or replacing stairs in your home. Available in the most popular standard sizes, our stock range means your new stairs are available for immediate delivery providing you with a quality product at an attractive price and at a time to suit you.



Newels and Caps



BALL CAP 3 COAT PART FINISHED*



MUSHROOM (UNFINISHED)



ACORN CAP 3 COAT PART FINISHED*



NEWEL DROP 3 COAT PART FINISHED*



PROJECTING NEWEL 3 COAT PART FINISHED*

*PICTURED FINISHED FOR PHOTOGRAPHIC PURPOSES. ALL PARTS ARE SUPPLIED UNFINISHED.



TURNE
D NEWEL *

TURNE
D NEWEL 3 COAT PART FINISHED *

SQUA
RE NEWEL *

SQUA
RE NEWEL 3 COAT PART FINISHED *

STOP CHAMFERED AND FLUTED 3 COAT PART FINISHED *

HADLEY

Turned Newel Caps

	BALL	HALF BALL	MUSHROOM	HALF MUSHROOM	ACORN	HALF ACORN
SOFTWOOD	SMTCSBH	SMTCBH	SMTCSMH	SMTCHMH	SMTCSAH	SMTCHAH

Projecting Newel Caps and Newel Drops

TO SUIT 82 X 82mm NEWEL TURNINGS	SOFTWOOD
CAP	SMPCSP
HALF CAP	SMPCHP
DROP	SMDRSP
HALF DROP	SMDRHP

Newels

	SOFTWOOD
TURNE D	
NEWEL 82 X 82mm	SMNT8H14
HALF 40 X 82mm	SMNT4H13
SQUA RE	
NEWEL 82 X 82mm	SMNS8H14
HALF 40 X 82mm	SMNS4H13
STOP CHAMFERED & FLUTED	
NEWEL 82 X 82mm	SMNS8WF14F
HALF 40 X 82mm	SMNS4WF10F

Components

Our wide range of components and stair parts can be used to individualise a new staircase or used as replacement parts for renovation or refurbishment.

Certain components are now available part or fully finished to give you the perfect look and save valuable time, money and effort during installation.



*PICTURED FINISHED FOR PHOTOGRAPHIC PURPOSES. ALL PARTS ARE SUPPLIED UNFINISHED.

27 x 27mm Spindles

SOFTWOOD	
27 X 27mm	
SQUARE	SMB22H9
STOP CHAMFERED	SMB26H9

32 x 32mm Spindles

SOFTWOOD	
32 X 32mm	
TRADITIONAL	SMB319H9
LONDON	SMB320H9
GEORGIAN	SMB39H9
SQUARE	SM33HBB
STOP CHAMFERED	SM33HBBC

41 x 41mm Spindles

SOFTWOOD	
41 X 41mm	
COLONIAL	SMB47H9
FLUTED	SMB424H9
TRADITIONAL	SMB423H9
PROVINCIAL	SMB413H9
CONTEMPORARY	SMB41C9
SQUARE	SM44HBB
STOP CHAMFERED	SM44HBBC



6 easy steps

1

Supply plans or agree layout



2

Decide which range suits your desired style



3

Provide detailed quotation



4

Free on site measure



5

Agree final specification and confirm order



6

Delivered on site from just 10 days* ready for installation



Adding or replacing stairs couldn't be easier when you choose JELD-WEN.

As the country's largest manufacturer, our size and experience means we can handle anything from a standard stock flight to a premium staircase built to a unique specification with no fuss and no effort required on your part.

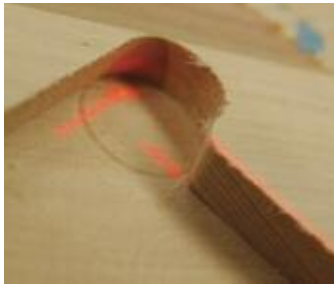
From initial planning to final delivery, we're with you every step of the way.

*dependent on specification and location.

Peace of mind guaranteed with the *stair doctor*

We know that installing a new staircase can sometimes be a daunting task, even for experienced joiners or construction professionals. That's why we take all of the uncertainty out of the process by offering a **free** on site measuring service.

Prior to placing your final order, one of our nationwide team of specialist Stair Technicians will confirm all of the essential measurements and provide technical advice to ensure that your new staircase complies with local building regulations.



We do it all...

- On site survey prior to final order
- Building Regulation compliance
- Nationwide coverage
- Local service
- Expert advice

JELD-WEN also supplies communal flights and fire retardant stairs for multi-occupancy dwellings so whatever interior you're working with we can provide the stairs to enhance it. You can be sure that when you choose JELD-WEN, it's the perfect fit.

To be certain your new staircase measures up,
there's only one number you need to know:

0845 122 2890

Made to measure stairs from just 10 days*

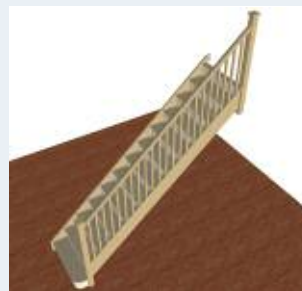
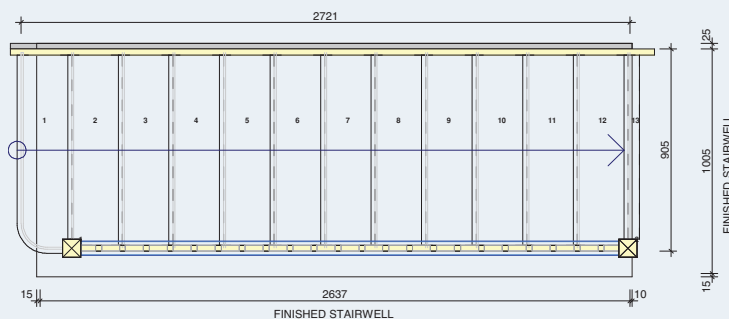


Remember that, when speed is of the essence, JELD-WEN can supply a bespoke staircase manufacturing service from just 10 days* from receipt of order when you choose one of our standard specification flights manufactured in our range of standard materials. Call us today to find out more.

Stairs ideas for your home

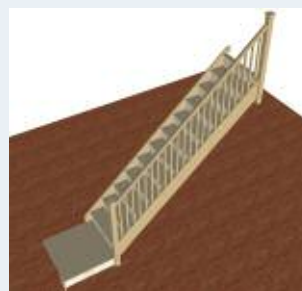
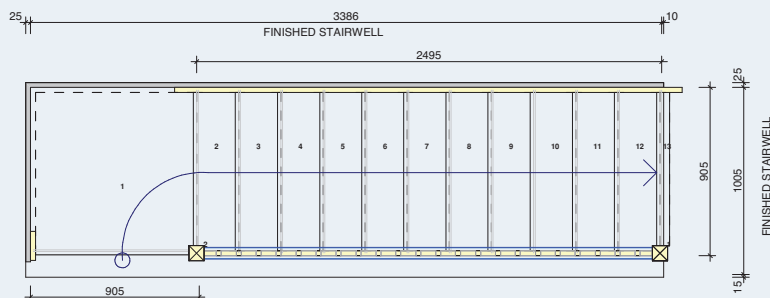
JELD-WEN manufactures all staircases to order in almost any design, size or specification. However, to help plan your flight our 20 most popular layouts are listed on the following pages together with the critical dimensions relevant to each design including the trimming dimension necessary to obtain headroom clearance. Our specialist stairs team is always on hand to offer help and advice on any aspect of design, construction or Part 'K' of the Building Regulations. You can contact them on: **01664 484613** or fax: 01664 484582

Stair layout A



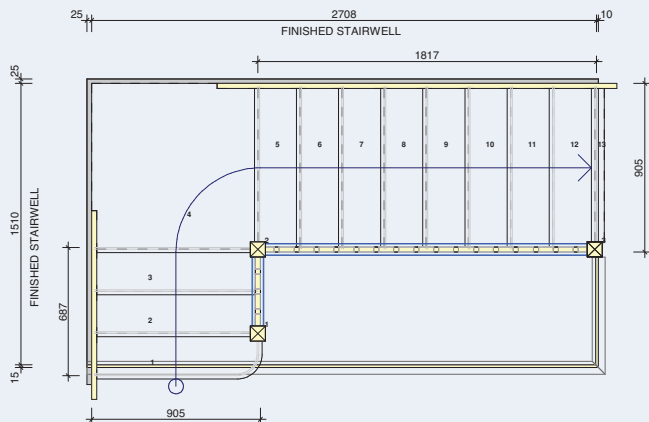
PRODUCT CODE	CO LAYOUT A
STOREY HEIGHT	2588
RISE	199.07
GOING	226
WIDTH OVER STRING(S)	1= 905

Stair layout B



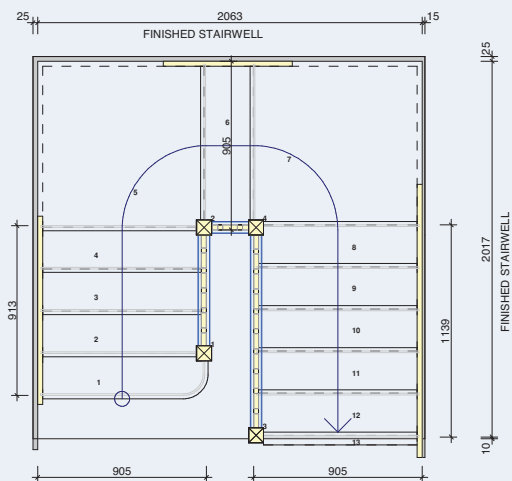
PRODUCT CODE	CO LAYOUT B
STOREY HEIGHT	2588
RISE	199.07
GOING	226
WIDTH OVER STRING(S)	1= 905 2= 905

Stair layout C



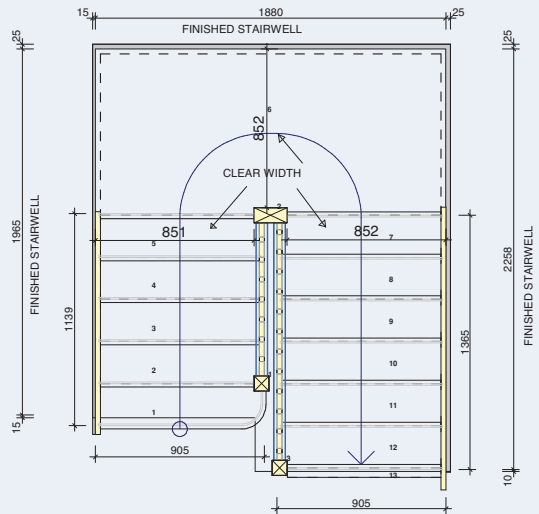
PRODUCT CODE	CO LAYOUT C
STOREY HEIGHT	2588
RISE	199.07
GOING	226
WIDTH OVER STRING(S)	1= 905 2= 905

Stair layout D



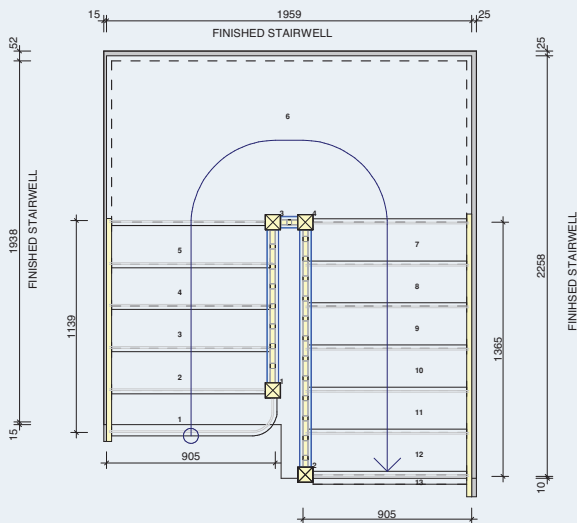
PRODUCT CODE	CO LAYOUT D
STOREY HEIGHT	2588
RISE	199.07
GOING	226
WIDTH OVER STRING(S)	1= 905 2= 905 3= 905

Stair layout E



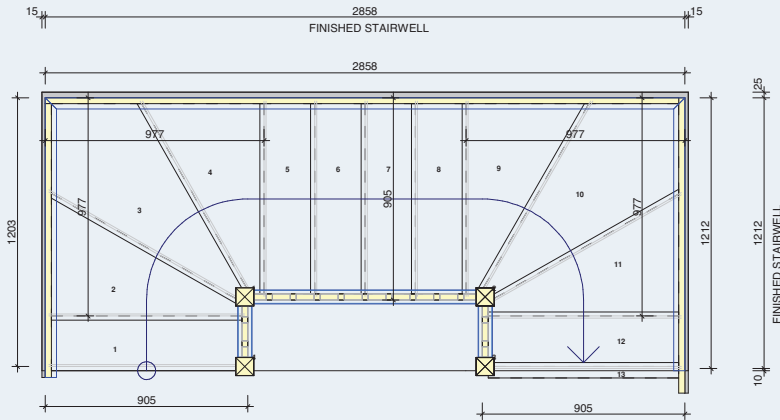
PRODUCT CODE	CO LAYOUT E
STOREY HEIGHT	2588
RISE	199.07
GOING	226
WIDTH OVER STRING(S)	1= 905 2= 905

Stair layout F



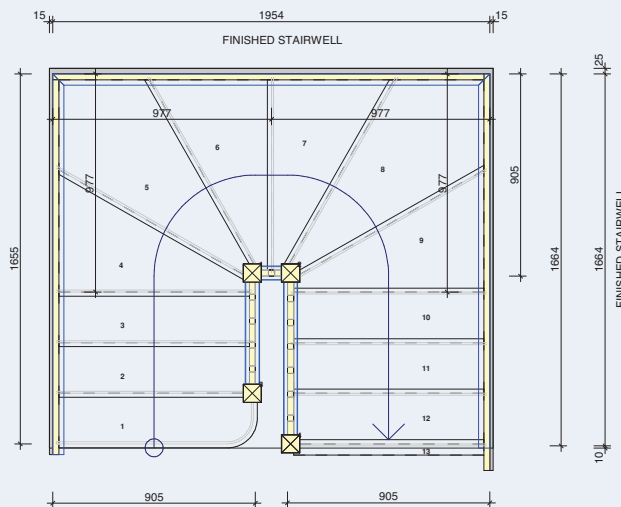
PRODUCT CODE	CO LAYOUT F
STOREY HEIGHT	2588
RISE	199.07
GOING	226
WIDTH OVER STRING(S)	1= 905 2= 905

Stair layout I



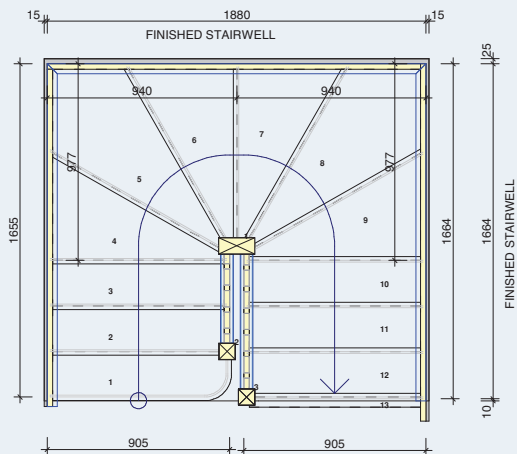
PRODUCT CODE	CO LAYOUT I
STOREY HEIGHT	2588
RISE	199.07
GOING	226
WIDTH OVER STRING(S)	1= 905 2= 905 3= 905

Stair layout J



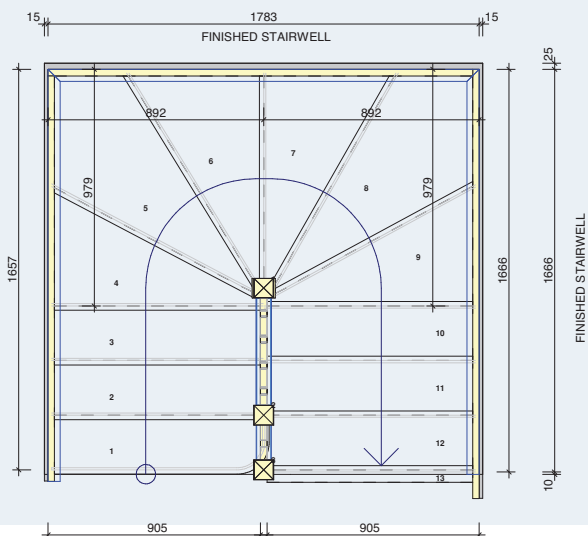
PRODUCT CODE	CO LAYOUT J
STOREY HEIGHT	2588
RISE	199.07
GOING	226
WIDTH OVER STRING(S)	1= 905 2= 905 3= 905

Stair layout K



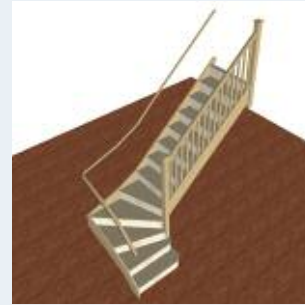
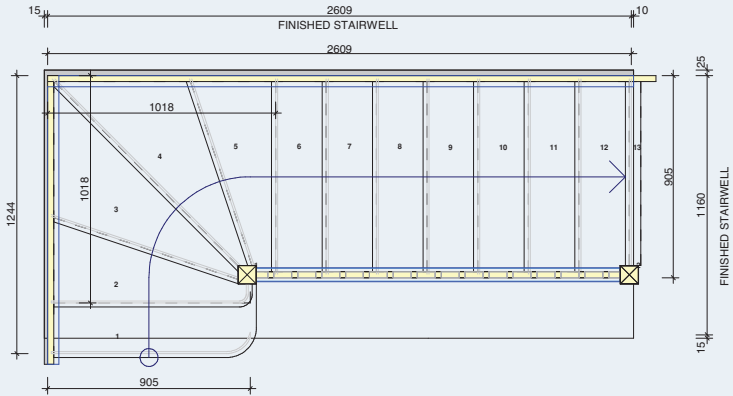
PRODUCT CODE	CO LAYOUT K
STOREY HEIGHT	2588
RISE	199.07
GOING	226
WIDTH OVER STRING(S)	1= 905 2= 905 3= 905

Stair layout L



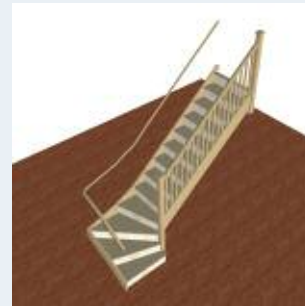
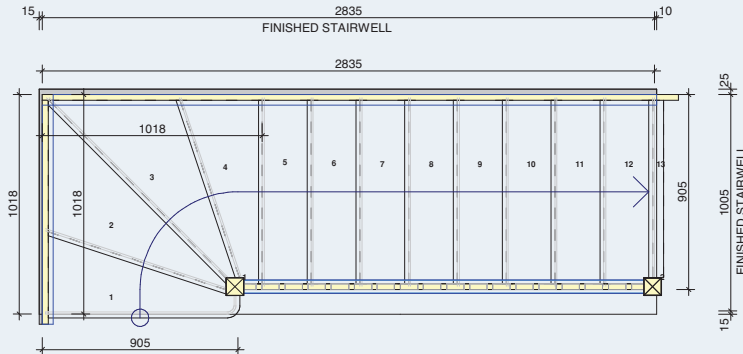
PRODUCT CODE	CO LAYOUT L
STOREY HEIGHT	2588
RISE	199.07
GOING	226
WIDTH OVER STRING(S)	1= 905 2= 905 3= 905

Stair layout M



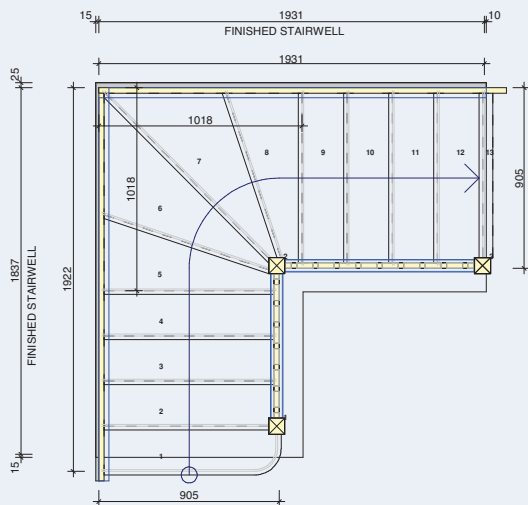
PRODUCT CODE	CO LAYOUT M
STOREY HEIGHT	2588
RISE	199.07
GOING	226
WIDTH OVER STRING(S)	1= 905 3= 905

Stair layout N



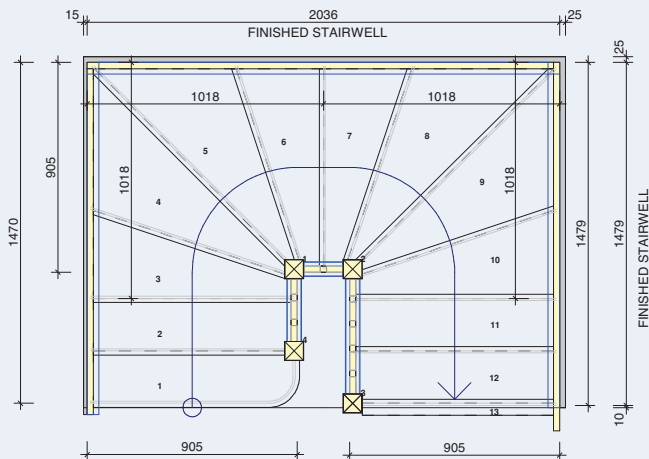
PRODUCT CODE	CO LAYOUT N
STOREY HEIGHT	2588
RISE	199.07
GOING	226
WIDTH OVER STRING(S)	1= 905 3= 905

Stair layout O



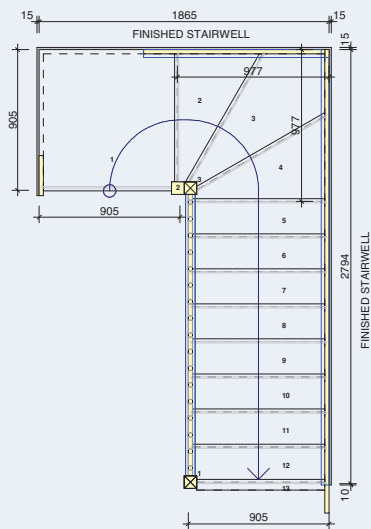
PRODUCT CODE	CO LAYOUT O
STOREY HEIGHT	2588
RISE	199.07
GOING	226
WIDTH OVER STRING(S)	1= 905 2= 905

Stair layout P



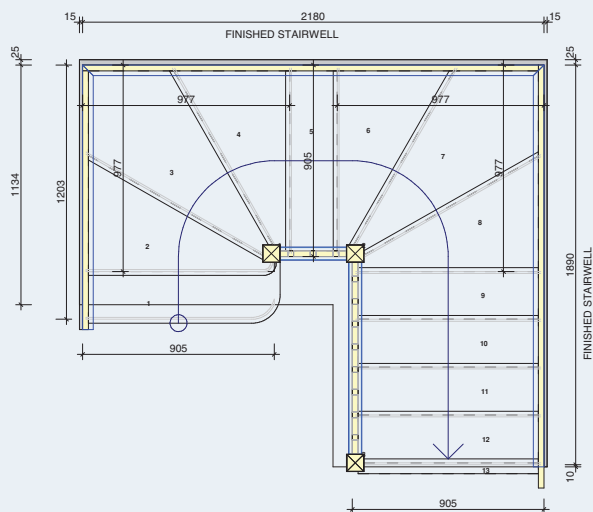
PRODUCT CODE	CO LAYOUT P
STOREY HEIGHT	2588
RISE	199.07
GOING	226
WIDTH OVER STRING(S)	1= 905 2= 905 3= 905

Stair layout Q



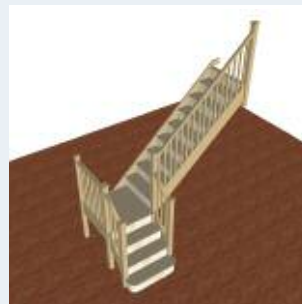
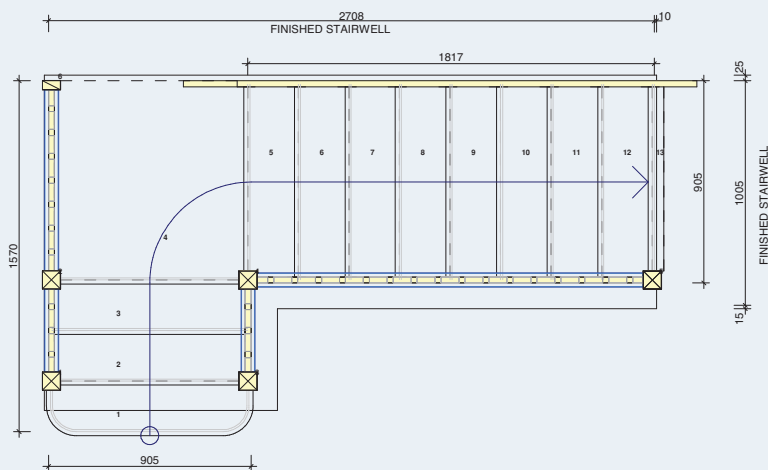
PRODUCT CODE	CO LAYOUT Q
STOREY HEIGHT	2588
RISE	199.07
GOING	226
WIDTH OVER STRING(S)	1= 905 2= 905 3= 905

Stair layout R



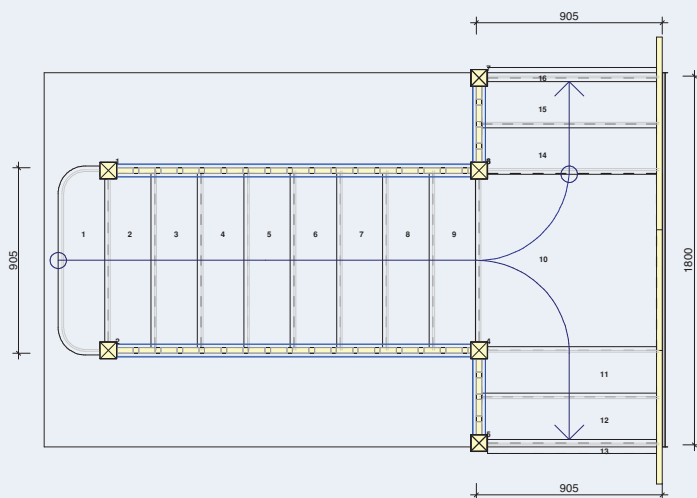
PRODUCT CODE	CO LAYOUT R
STOREY HEIGHT	2588
RISE	199.07
GOING	226
WIDTH OVER STRING(S)	1= 905 2= 905 3= 905

Stair layout S



PRODUCT CODE	CO LAYOUT S
STOREY HEIGHT	2588
RISE	199.07
GOING	226
WIDTH OVER STRING(S)	1= 905 2= 905

Stair layout T



PRODUCT CODE	CO LAYOUT T
STOREY HEIGHT	2588
RISE	199.07
GOING	226
WIDTH OVER STRING(S)	1= 905 2= 905 3= 905

Guarantees

In keeping with our quality policy, JELD-WEN® offers the following guarantees on its products:

10 year guarantee on all products against manufacturing defects.



JELD-WEN® will not accept responsibility for product that has been poorly installed or modified where the structural strength of the stairs is impaired.



Chain of Custody Certification

JELD-WEN® are able to offer on request a full Chain of Custody FSC Certified stair specification. Please call us to discuss your requirements.

Conditions of Sale

Prices quoted in the trade price list, subject to our standard terms and conditions, and goods will be supplied in accordance with our standard conditions of sale.

Postal/courier deliveries

A minimum charge of £10.00 will be added to orders for small items requiring delivery by post or courier. For orders exceeding this minimum postal charge a quotation will be given prior to despatch.

Deliveries

All orders will be delivered on articulated vehicles for off-loading by the customer. Where access is restricted deliveries can be made on a rigid vehicle, incurring a £75 premium for each delivery. It is the customers responsibility to advise JELD-WEN of the available access for delivery at the time of order.

Cancelled/amended orders/products

All products cancelled or amended will incur the following charges: Products manufactured will be charged at the full price; products cancelled or amended during the manufacturing process will incur a 35% of the full price charge; and products cancelled or amended where a manufacturing instruction has been issued will incur a 25% of the full price charge.

Non standard items are manufactured to special order and can not be accepted for return.

Wherever practical staircase trunks are supplied pre-assembled. If you are in any doubt over any particular design please contact the stairs sales department.

Upon delivery, all parts are clearly labelled and boxed and final assembly is a simple operation.

Goods returned for re-delivery

Any deliveries refused on the acknowledged delivery date will incur a 20% handling and re-delivery charge. Any products that are returned and stored for more than one month from the original acknowledged date will be invoiced in full.

Head Office

JELD-WEN® UK Ltd,
Retford Rd, Woodhouse Mill,
Sheffield, South Yorkshire,
S13 9WH.

www.jeld-wen.co.uk

Recommendations

Recommendations for the Handling; Storage; and Installation of Stairs

Product weight exceeds 15kg: This product weighs in excess of 15kg. Your own risk assessment can determine whether an assisted lift is required or even mechanical lifting arrangements will be required. Do not lift stairs by one string (top string if laid on edge).

Storage of stairs:

Stairs should be stored in a dry place, slightly raised from the ground, adequately protected from the weather and extremes of temperature. As with all internal joinery, stairs should not be fitted in a building which has not adequately dried out. Failure to maintain the moisture content as delivered may have a seriously detrimental affect on the stairs and how they fit.

Fitting of stairs:

Refer to the 'stair packing list' and the 'manufacturing worksheet' and check that the works number is the same on the stair flight(s) and loose components. Confirm also that all components are present. We recommend newel posts be fitted 'dry' and the stair offered into position. Be aware that load bearing newel posts need to be trimmed to length prior to installation (look for chisel-mark or two drill holes which denotes floor line). Check treads/newel posts are level and plumb. If a bull nosed step is to be fitted check length and fit, trim as required.

Stairs are supplied assembled as far as practical, leaving final trimming of key components for exact fit on site. If fitting winder treads, again 'dry' assemble. Treads have been cut to size in our workshop but may need further trimming when installed. Check treads for level and fit. Risers will need to be cut to length and bevelled to fit angles. Treads and risers should be wedged and glued into the strings and pinned and blocked at newel posts where the riser meets the tread, always screw and glue into position to prevent 'squeaking'. (Refer to Fitting and Care Instructions for Winder Flight Stairs).

If stairs start with a complex turn, i.e. a quarter space landing or tapered treads on first floor level and above, we recommend that decking overhang trimmer by 25mm to allow for support of first riser. Strings running against a wall should be securely fixed with screw fixings at approximately every 600mm and packed to prevent the fixings pulling the string off the treads and risers.

Demountable Balustrade System: For installation and removal please refer to the easy to follow instructions and user guide.

Notice to Carpet Fitters / Purchasers:

Carpet gripper rods must not be nailed to the treads and risers. They must be screwed or glued only. We cannot accept responsibility for squeaking / damaged stairs if the gripper rods are not fixed in the correct manner.

Stair Protection

Available as options, on request, JELD-WEN has a range of protection that can be added to your stair specification. From simple tread protection to packaging to protect your part finished components. Please call us to discuss your requirements.

Remedial Issues

Remedial costs will be charged in full to the customer where no manufacturer's error is identified. If the fault identified is not the responsibility of JELD-WEN a minimum charge of £150 will be made.

JELD-WEN will undertake any remedial work at the customers request following receipt of an order to cover these works.

Materials

JELD-WEN use materials from a variety of sources. As timber is a natural material, colour variations will occur between components of the same timber species.

For JELD-WEN Terms & Conditions please refer to www.jeld-wen.co.uk



JELD-WEN UK LTD

Snow Hill, Melton Mowbray,
Leicester, LE13 1PD

T: 0845 122 2890

F: 01664 484 586

E: marketing@jeld-wen.co.uk

Visit us at www.jeld-wen.co.uk